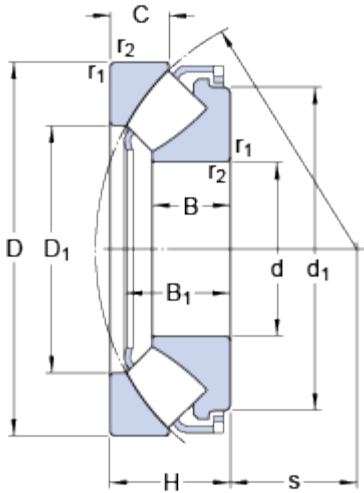


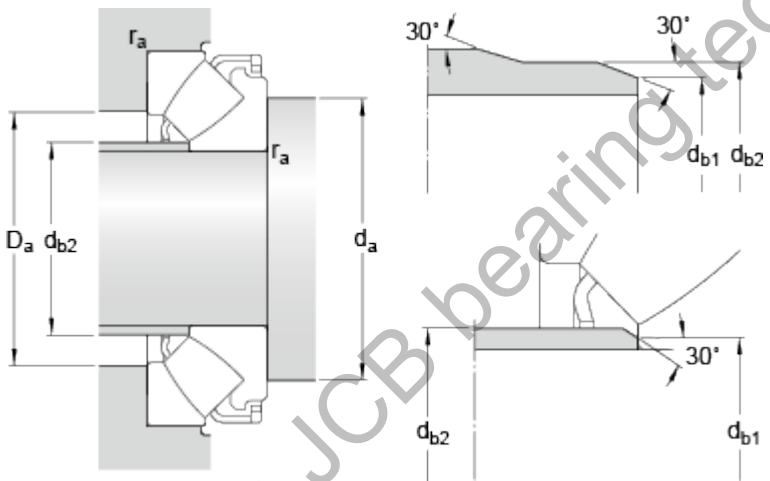
# 29324 EX

## Dimensions



d	120	mm
D	210	mm
H	54	mm
d <sub>1</sub>	≈ 188	mm
D <sub>1</sub>	≈ 155	mm
B	34	mm
B <sub>1</sub>	48.2	mm
C	27	mm
s	70	mm
r <sub>1,2</sub>	min. 2.1	mm

## Abutment dimensions



d <sub>a</sub>	min. 160	mm
d <sub>b1</sub>	max. 128	mm
d <sub>b2</sub>	max. 128	mm
D <sub>a</sub>	max. 181	mm
r <sub>a</sub>	max. 2	mm

## Calculation data

Basic dynamic load rating	C	765	kN
Basic static load rating	C <sub>0</sub>	2120	kN
Fatigue load limit	P <sub>u</sub>	245	kN
Reference speed		1700	r/min
Limiting speed		2800	r/min
Minimum axial load factor	A	0.43	

## Mass

Mass bearing		7.35	kg
--------------	--	------	----